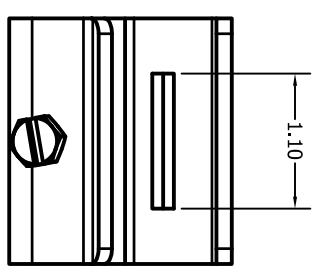
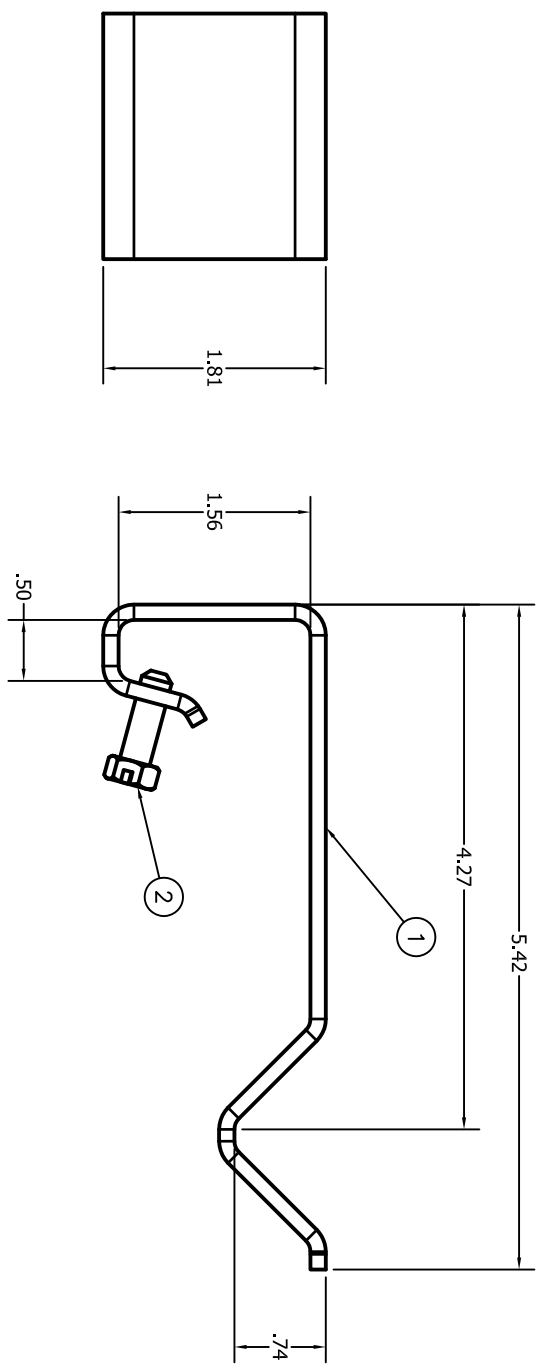
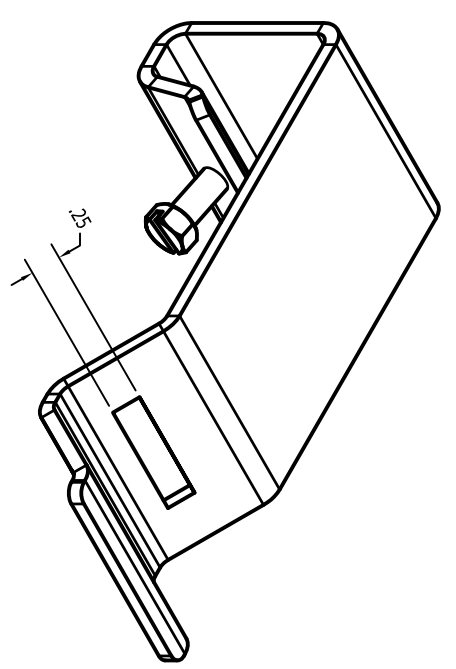
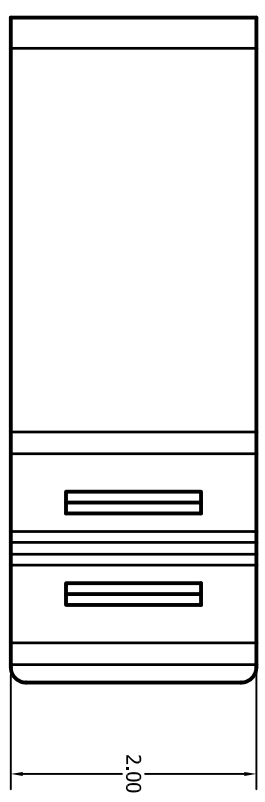


P/N	DESCRIPTION
HGBTEBCBRKL10	TEBC BRACKET ASSEMBLY, FOR LADDER RACK, BLACK



- NOTES:
1. MATERIAL: ALUMINUM, BLACK ANODIZE FINISH.
 2. PACK OF 10 BRACKET ASSEMBLIES.
 3. SUBJECT TO CHANGE WITHOUT NOTICE.

3	INSTRUCTION SHEET	1
2	1/4-20 X 3/4" SLOTTED HEX HEAD BOLT, CLEAR ZINC	10
1	TEBC BRACKET, FOR LADDER RACK	10
ITEM #	DESCRIPTION	QTY.

Hubbell Premise Wiring
HUBBELL INCORPORATED (Delaware)
 23 CLARA DRIVE, SUITE 103 MYSTIC, CT 06355

TITLE: TEBC BRACKET FOR LADDER RACK

SIZE: **C** DRAWING NO. **HMWS14290C**

SCALE: 1 TO 1 SHEET 1 OF 1

DIMENSIONING AND TOLERANCE PER ANSI Y14.5M-1982
 UNLESS OTHERWISE SPECIFIED, DIMENSIONS ARE IN INCHES (MM), TOLERANCES: XX = ±.01 (.25)
 .XXX = ±.005 (.127)
 .XXXX = ±.0025 (.0635)
 ANGLE TOL ±1°

IN ACCEPTING OUR DRAWINGS, BLUPRINTS, OR SUPPORTING DOCUMENTATION FOR QUOTATION OR OTHER PURPOSES, YOU AGREE NOT TO DISCLOSE TO OTHERS THE IDEAS, INFORMATION, OR DESIGNS SHOWN HEREIN, AND THAT YOU WILL MAKE NO USE OF SAME WITHOUT PERMISSION

PROJECT REFERENCE: 020-13
 MATERIAL: SEE NOTE 1
 DRAWN BY: D.O'CONNOR 4/4/13
 CHECKED BY:
 APPROVED BY:

1	18113	4/4/13	INITIAL RELEASE	DPO	
REV.	ECN	DATE	DESCRIPTION	CHG BY	APPD BY

